

Pullbox Pro

What is the Pullbox Pro?

The Pullbox Pro works with motorized skylight shades in top-down, bottom-up, and horizontal applications. The Pullbox Pro has been designed to meet the challenges and needs of shade manufacturers and installers in even the harshest climates. Made from 304 stainless steel and Kevlar cable, the Pullbox Pro was design to provide a constant force profile through the extension and retraction of the shade. Easy to install, with a unique locking feature to take the load off the cable when mounting the shade, the Pullbox Pro pairs well with all sky shades.

Benefits of the Pullbox Pro

- Provides a constant force profile through extension and retraction of the shade
- Easy to Install
- Unique locking feature to take the load off the cable when mounting on the shade
- Made from 304 stainless steel
- Uses Kevlar Cable



Most Common Applications

Solar Shades

Motorized Skylight Shades

Top down, bottom up, and horizontal shades



Materials

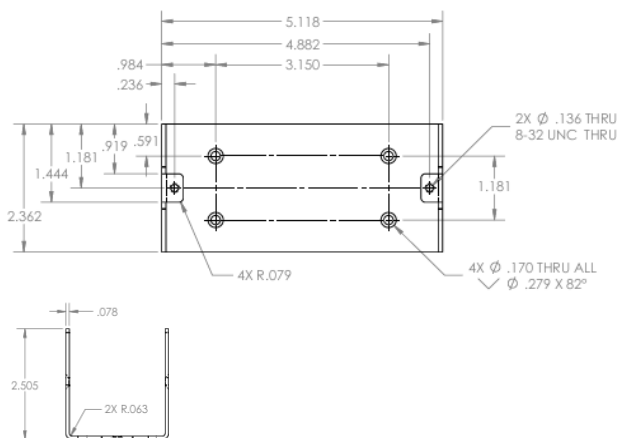
Made with a 304 stainless steel case/housing. .055" diameter cord - polyester sleeve over a Kevlar® core and 13' cable extension length.

Life Cycle & Force

Approximate life cycles: 5,000. Cable force options include 3.5 lbf or 10lbf.

Available Space

Please refer to the drawings for physical envelope and mounting details of the Pullbox Pro case/housing.



Environment

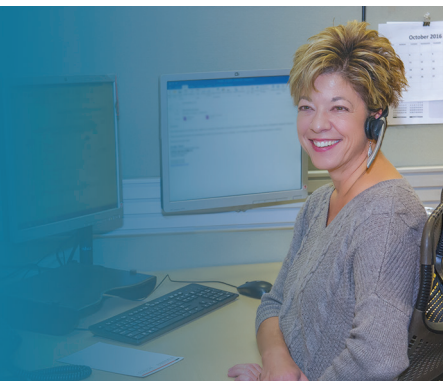
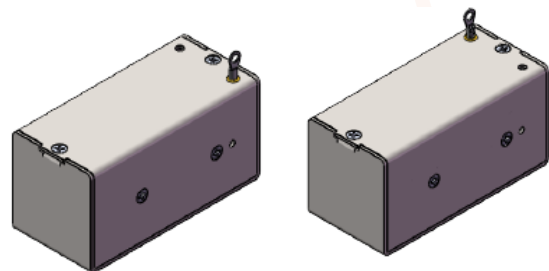
A robust, stainless steel case/housing makes the Pullbox Pro a suitable component for industrial-grade applications.

End Detail

Ring terminal cable end fitting.

Mounting Methods

Right or left hand cable orientation. Please view images below.



About Vulcan Spring

Vulcan Spring is the preferred global supplier of high-volume spring solutions, headquartered in Telford, Pennsylvania. With innovative engineering, machinery and tooling, we can deliver spring and assembly solutions for even the most challenging applications. For industrial or POP displays and beyond, we're equipped for the quality and timely production of millions of springs, all while promising to make your experience from concept to production as easy as possible.

Contact us with questions or about a custom need. Our responsive and helpful team is standing by.

+1-215-721-1721 | VulcanSpring.com