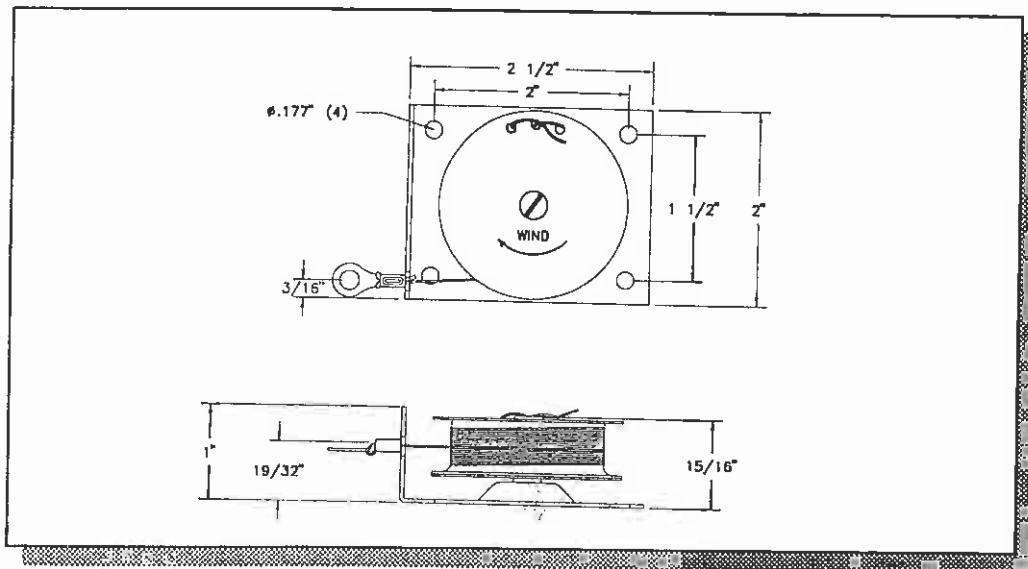


CONPOWER BASE MOUNTED REELS

The VULCAN Spring Powered Reel is an affordable, high quality product for your counterbalancing needs. Other applications include:

- Retracting
- Closing
- Retrieving



Material: Cable: .027" dia, Stainless, Nylon coated to .034"
 Spring: 301 Stainless Steel
 Housing: Stainless Steel
 Base: Stainless Steel

Part Number	Max. Cable Pull Force - lb.	Cable Extension Length - Inches
VR1433-5	1/2	100
VR1433-10	1	70
VR1433-20	2	50
VR1433-30	3	45
VR1433-40	4	25

VULCAN SPRING & MFG. CO.
 501 Schoolhouse Rd.
 Telford, PA 18969
 Phone: (215) 721-1721
 Fax: (215) 721-1739